

5.2mm Square Tact Switch (Vertical, SMT Type)



TSE/G-03/36/37/38/39/3AS-XXX


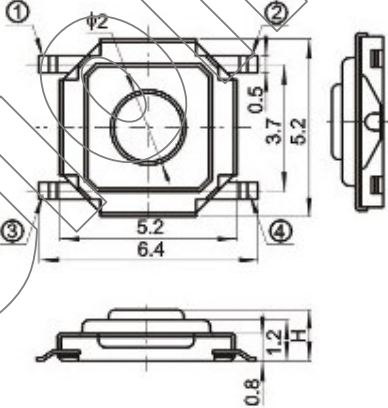
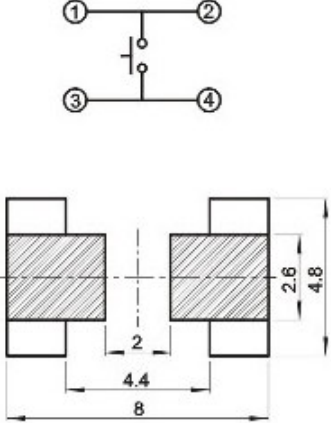
TS - Tact Switch
E / G - E / G Serious
03 / 36 / 37 / 38 / 39 / 3A - Type
S - SMT Type
XXX - Action Force (gram)
H - High (Optional)


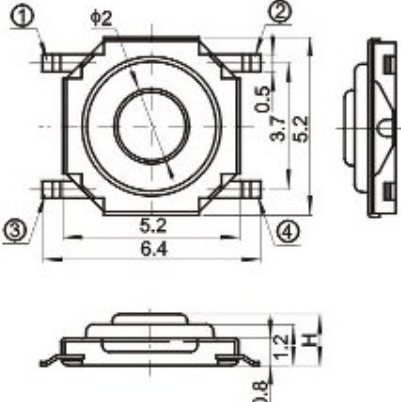
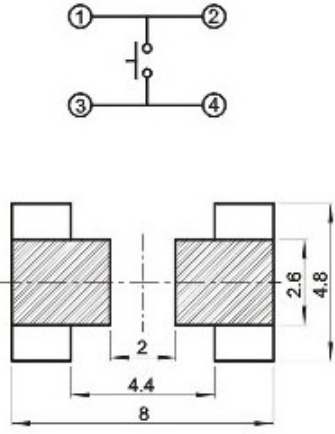

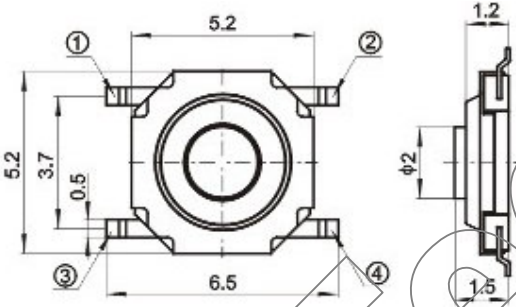
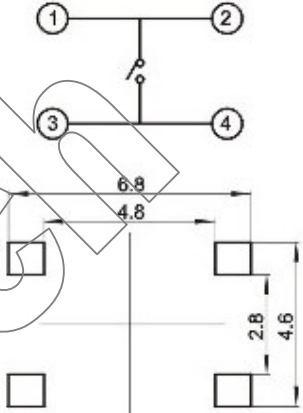

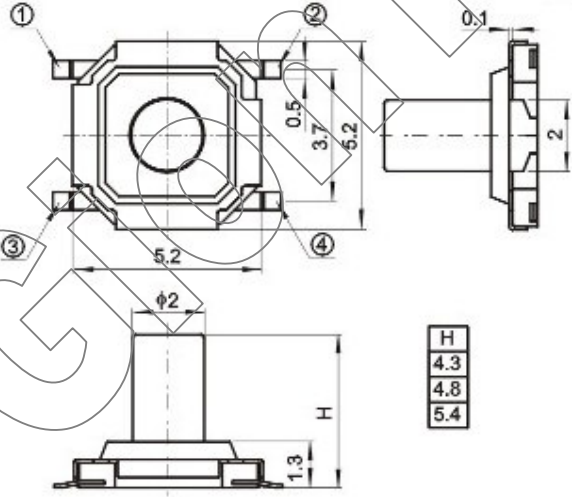
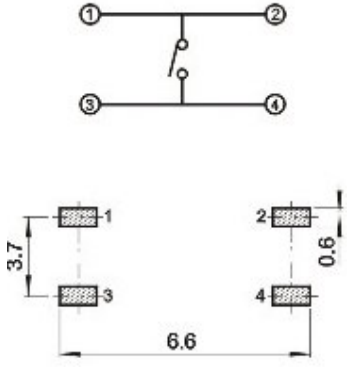
SPECIFICATIONS


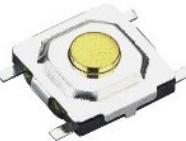
Mechanical Life: 200,000 cycles for 130g±50g, 180g±50g,
100,000 cycles for 250g±50g
Operating Force: 130g±50g 180g±50g, 250g±50g
Travel: 0.25±0.1mm
Rating: 50mA 12V DC
Dielectric withstanding: 250V AC/minute
Insulator resistance: ≥ 100 MΩ at 100V
Contact resistance: ≤ 100 mΩ/Contact
Operating temperature: -30°C ~ +85°C
Storage temperature: -40°C ~ +85°C

Material

Base: LCP, UL94V-0
Contact material: Phosphor Bronze
Contact Spring Plating: Stainless Steel/Silver Plating

Physical Picture	Outline Drawing	Circuit
 <p>TSE-03S-XXX (H=1.6)</p>		

 <p>TSG-36S-XXX</p>						
 <p>TSG-37S-XXX</p>						
 <p>TSG-38S-XXX</p>	 <table border="1" data-bbox="933 1543 982 1648"> <tr> <td>H</td> </tr> <tr> <td>4.3</td> </tr> <tr> <td>4.8</td> </tr> <tr> <td>5.4</td> </tr> </table>	H	4.3	4.8	5.4	
H						
4.3						
4.8						
5.4						

 <p>TSG-39S-XXX</p>		
 <p>TSG-3AS-XXX</p>		

GionTech